

规格承认书

Specification for approval

产品名称: **001C** 日系车用快速取电器

Product Type: Customized Mini ATM APM Blade Auto Fuse Holder Add-a-circuit Fuse Adapter 32V For Japanese Car Truck Motorcycle SUV DIY

Ao littel Technology Co.Ltd.

Bld. 16,Yanhe East Road,Xiangdong Village, Dongguan 523833,
Guangdong,China

H.P.: 1371362419

QQ #: 3217998702

<http://www.passivemall.com/>

Fax #:0769-89390418

Email : eric.lye@aolittel.com

<http://www.aolittel.com/>

1. Description

Turn one fuse slot into two whole providing protection for both circuits. This dual slot Add-A-Circuit/Add-A-Line/Fuse Plug provides a fuse slot for the existing OEM circuit and a second slot for a new circuit for a mobile electronic device/accessories

2. General Specifications

Insulating Body : Nylon

Applicable : For ATN 1A~15A

Wire: UL 1015 #16 AWG, Length 127mm, Red

3. Features

Add-a-circuit low profile mini style blade fuse holder

Protects original circuit and provides a lead for new circuit

Turns one fuse slot into two while providing protection for both circuits

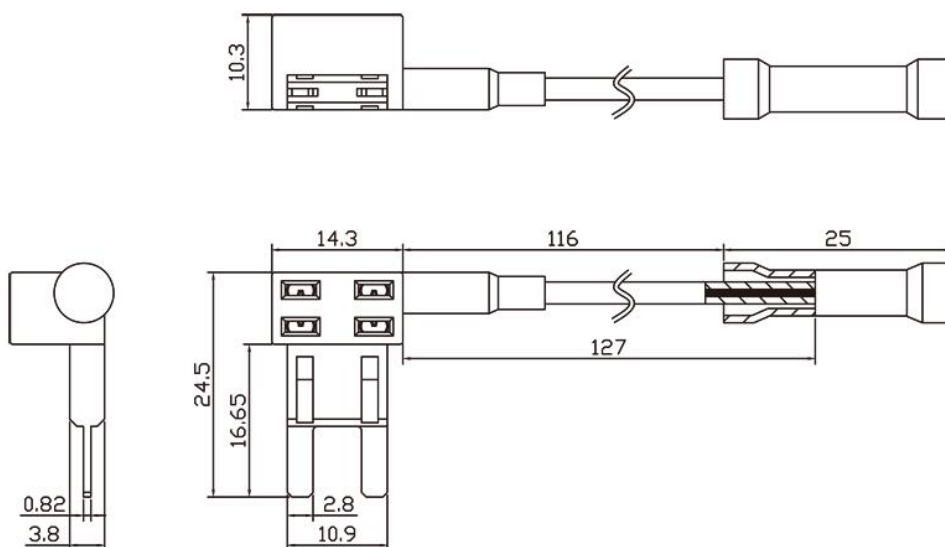
Low Profile allows for extra clearance

No splicing or wire cutting necessary to install your electronic accessories

4. UL Certification

For safety,technical parameters must be printed on the UL certificated cable.16AWG insulating layer,thermal resistance up to 105C,flame-retardant level up to V W-1.Enought to use in common vehicle refit for connection to high power devices.

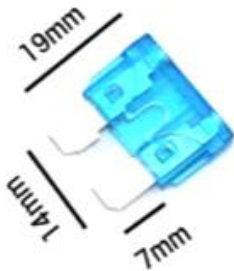
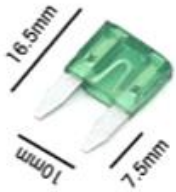
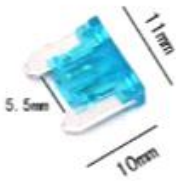
5. Dimension (mm)



6. Installation Introduction



Please mind your car original fuse size to decide which size to buy

<p>For Most German/EU Car Brands</p> <p>Medium</p> 	<p>For Most US/Japan Car Brands</p> <p>Small</p> 	<p>For Some Japan/Korea Car Brands</p> <p>Mini</p> 
---	---	---

Description

Turn one fuse slot into two while providing protection for both circuits. This dual slot Add-A-Circuit/Add-A-Line/Fuse Plug provides a fuse slot for the existing OEM circuit and a second slot for a new circuit for a mobile electronic device /accessories.

